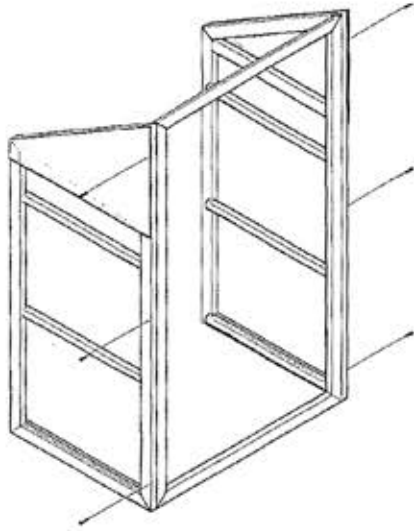
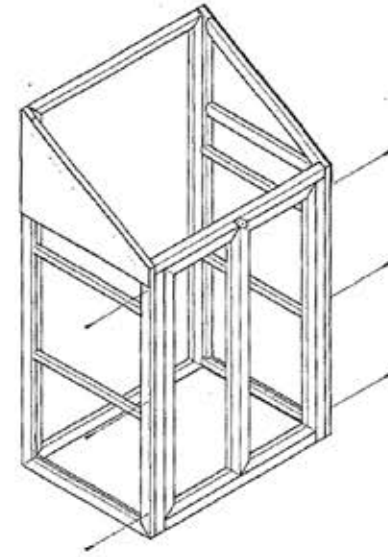


ASSEMBLY INSTRUCTION

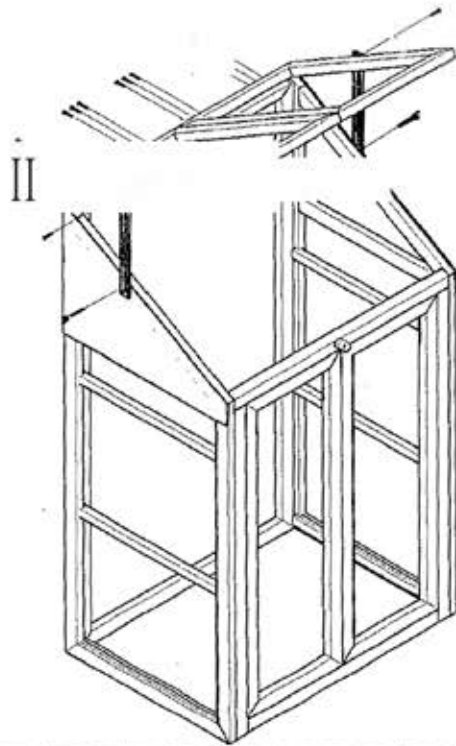
D: 1PC
e: 6pcs



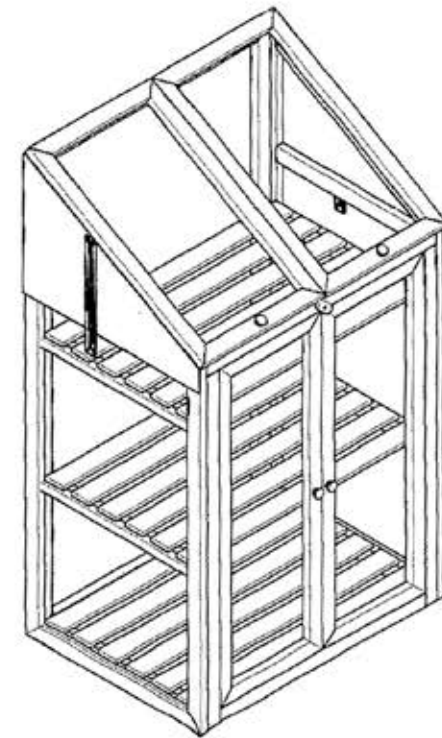
F: 1PC
e: 6pcs



B: 2PCS
a: 2pcs
b: 2pcs
d: 14pcs



E: 3PCS
c: 4PCS
f: 4PCS

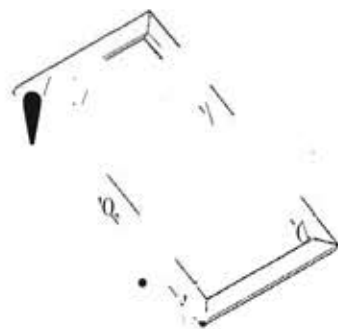


ASSEMBLY INSTRUCTION

A: IPC



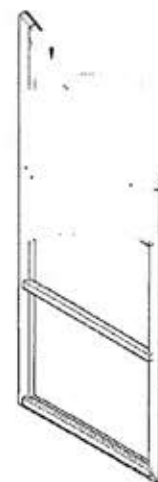
B: 2PCS



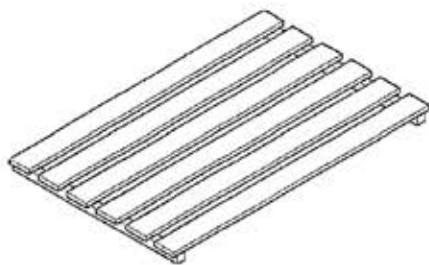
C: IPC



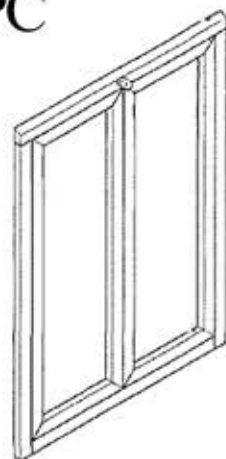
D: IPC



E: 3PCS



F: IPC



a: 2pcs

b: 2pcs



c: 4PCS



d: (3*16) 14pcs



e: (3. 5*40) 12pcs

i

f: (4*25) 4pcs